

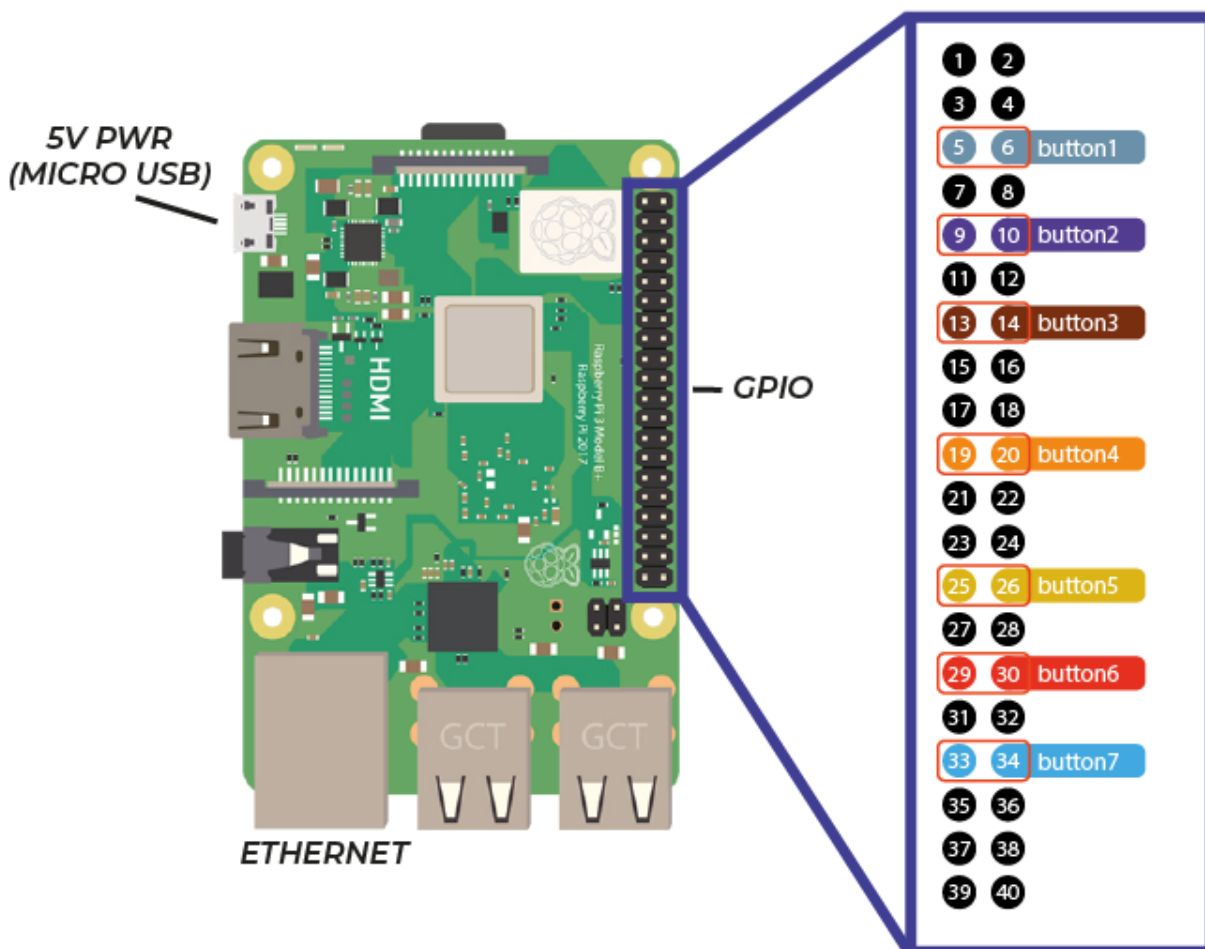
Quick start guide

The zebrix content trigger box is a device for displaying predefined content on one or more screens when a dry contact is closed. The device supports up to 7 different dry contacts. The content is displayed only once or until you close another contact depending on the loop/noloop parameter.

Connection for initial setup

Equipment required:

- the external power supply provided
- a network cable
- a wired internet connection
- a HDMI cable
- a display
- a keyboard
- a mouse
- **one or more buttons (up to 7)**



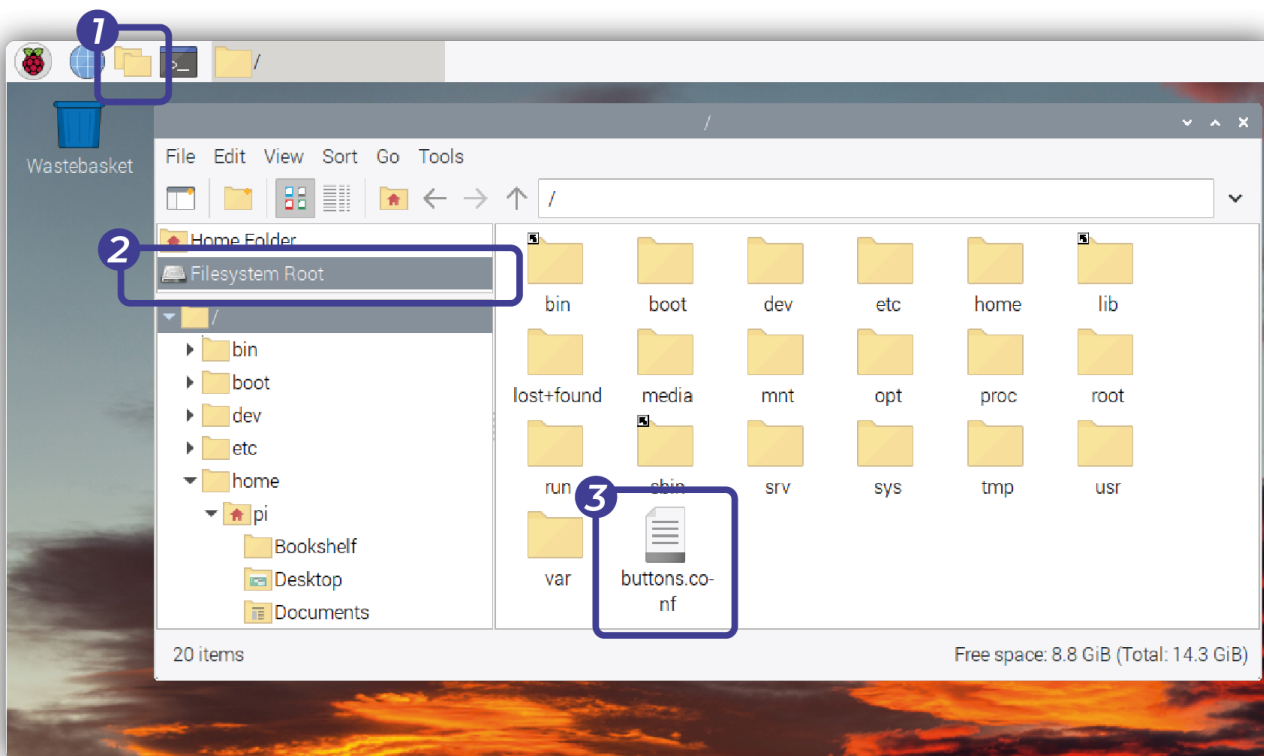
You can connect the button(s) to the pin pairs of the GPIO pin marked on the diagram. (5;6), (9;10), (14;15), (19;20), (25;26), (29;30), (33;34).

Connect all the cables, finish with the power supply to switch on the equipment.

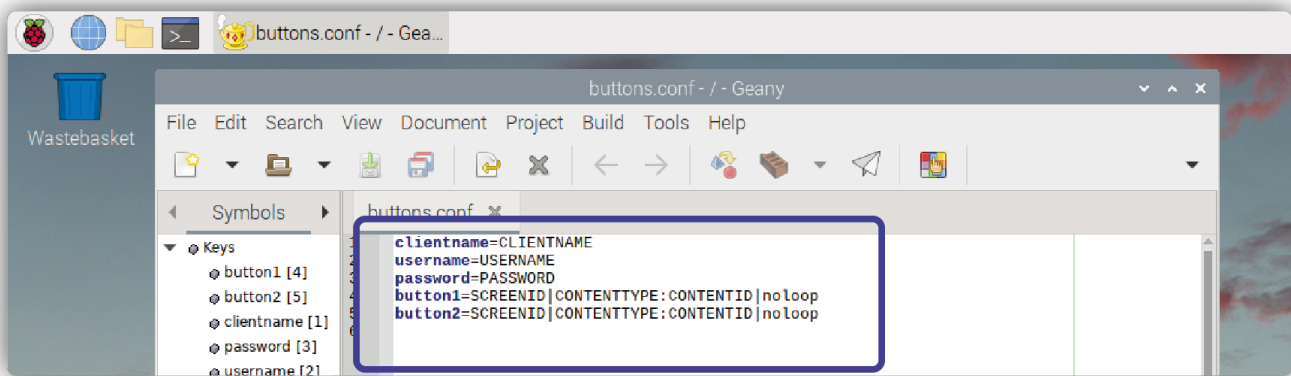
2 Software configuration

When the equipment displays the office

1. open the file manager
2. then click in the root of the file system
3. open the buttons.conf file



3 Editing the /buttons.conf file



- clientname=**NAME OF ZEBRIX CUSTOMER ACCOUNT**
- username=**NAME OF ZEBRIX USER**
- password=**PASSWORD**

The **clientname**, **username** and **password** parameters are the zebrix account accesses from which the zebrix content trigger box system can connect. This zebrix account does not have to be admin to work but it must be able to assign content to the screen the system is targeting.

For this account the two factor must be deactivated.

If the account changes its password on zebrix, it will also have to be changed in the equipment configuration.

- **buttonX=Screenid|contentType:contentId|nolooop**

ButtonX



The X must correspond to the button number assigned to the pin pair to which the button is connected (see diagram on page 1)

screenid

Replace screenid with your screen ID.

To find the screenid :

1. Go to the list of screens
2. Click on the cogwheel at the end of the line of the target screen



- Then click on the monitoring tab
- Copy the number to ID

Hardware Tools - zebrix content trigger box			
Remote Logs Monitor Properties Firmwares Alerting			
Ram	CPU	Disk	
39%	3%	9%	
Name	zebrix content trigger box	MAC Address	c048e68ce17e
Status	online	Local IP	10.10.50.7
Last update	3/22/23 4:12 PM	Subnet Mask	255.255.0.0
ID	34300	Default gateway	10.10.1.253
zebrix version	v3.7.2.2	DNS Server	10.10.1.5
IP	77.158.192.75	Interface	ethernet
Detected Internet Service Provider	15557 Societe Francaise Du Radiotelephone - SFR SA	Remote management	<input type="checkbox"/>
Approximate location (city)	Colombes	Zebrix player V3	<input checked="" type="checkbox"/>
Approximate location (region)	Hauts-de-Seine	Manufacturer	Samsung
Approximate location (country)	France	Model	QB43N
Port	443	Serial number	065PHNDK600108Z
Uptime	12 hours 52 minutes 48 seconds	DUID	
		Firmware	T-KTM2ELAKUC-2350.1

contentType

scheduling, page or playlist

You can choose the type of content between page or playlist.

scheduling

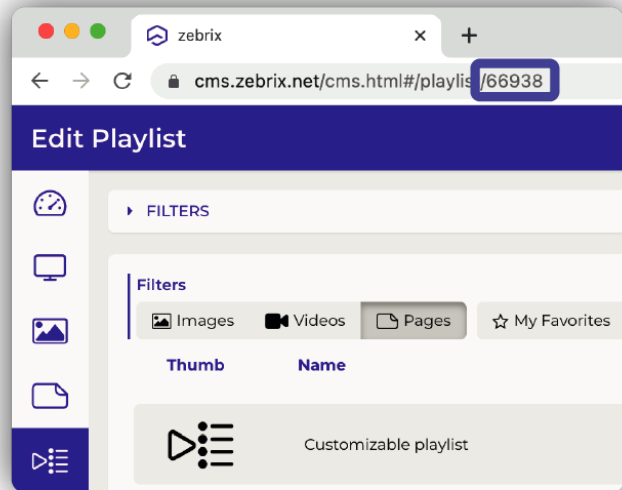
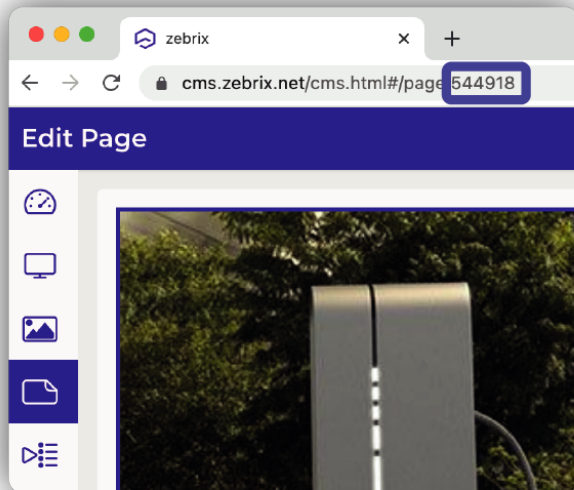
Allows you to configure a dry contact to return to broadcasting planned content on zebrix, the

contentid must then have the value 0 and must be configured in loop.

contentid

Replace contentid with the id of the page or playlist registered in the zebrix system.

To find the name of the page or playlist to be displayed, simply go to the playlist or page tab and edit the playlist or page. The id searched is the number after the last "/".



loop & noloop

noloop Returns to schedule mode after the end of the broadcast **loop** plays in a loop, until another dry contact is pressed.

4 Normal use after configuration

First, unplug the keyboard, mouse and monitor connected to the equipment. Then to start in a normal mode of operation, simply disconnect and reconnect the power to the equipment.

From:
<https://documentation.zebrix.net/> - **zebrix documentation**

Permanent link:
https://documentation.zebrix.net/doku.php?id=en:zebrix_content_trigger_box&rev=1679651827

Last update: **2023/03/24 10:57**

